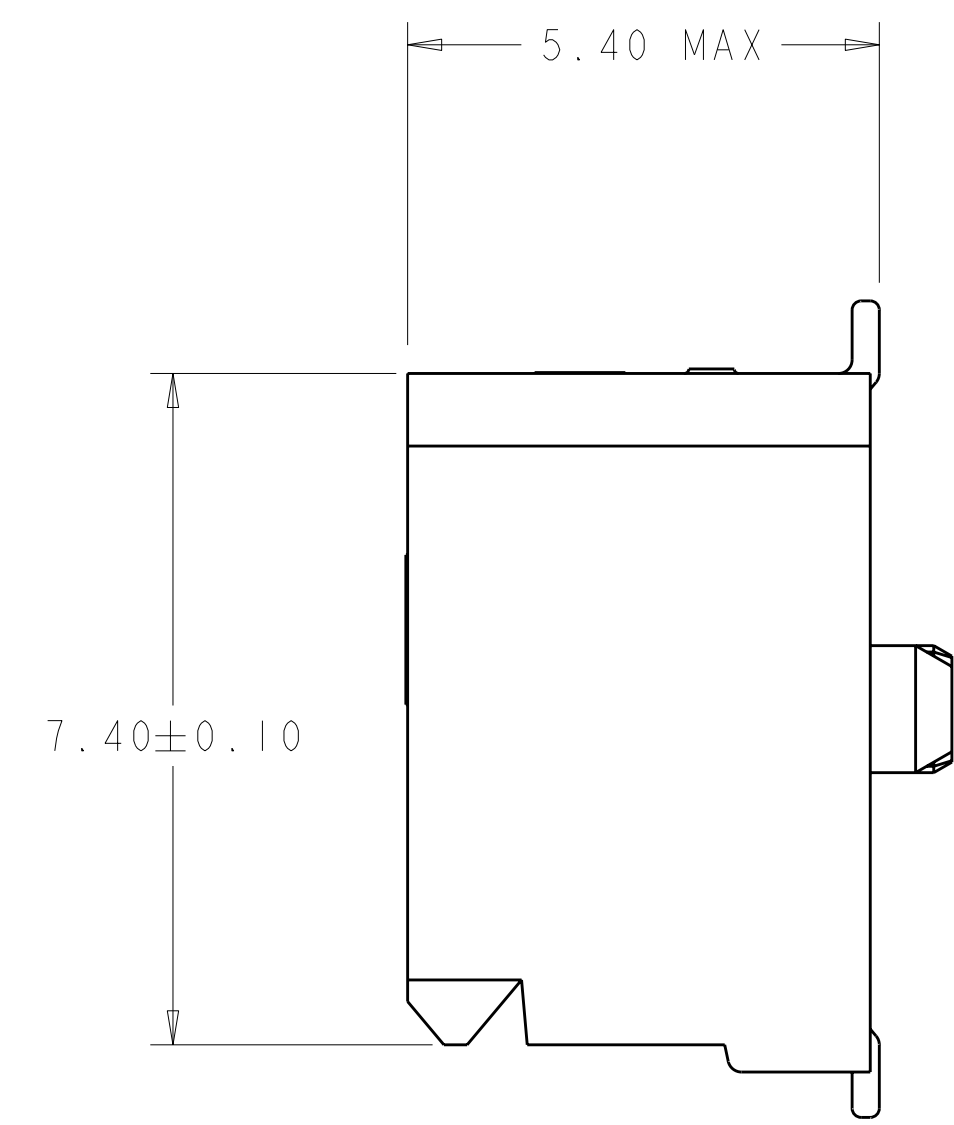
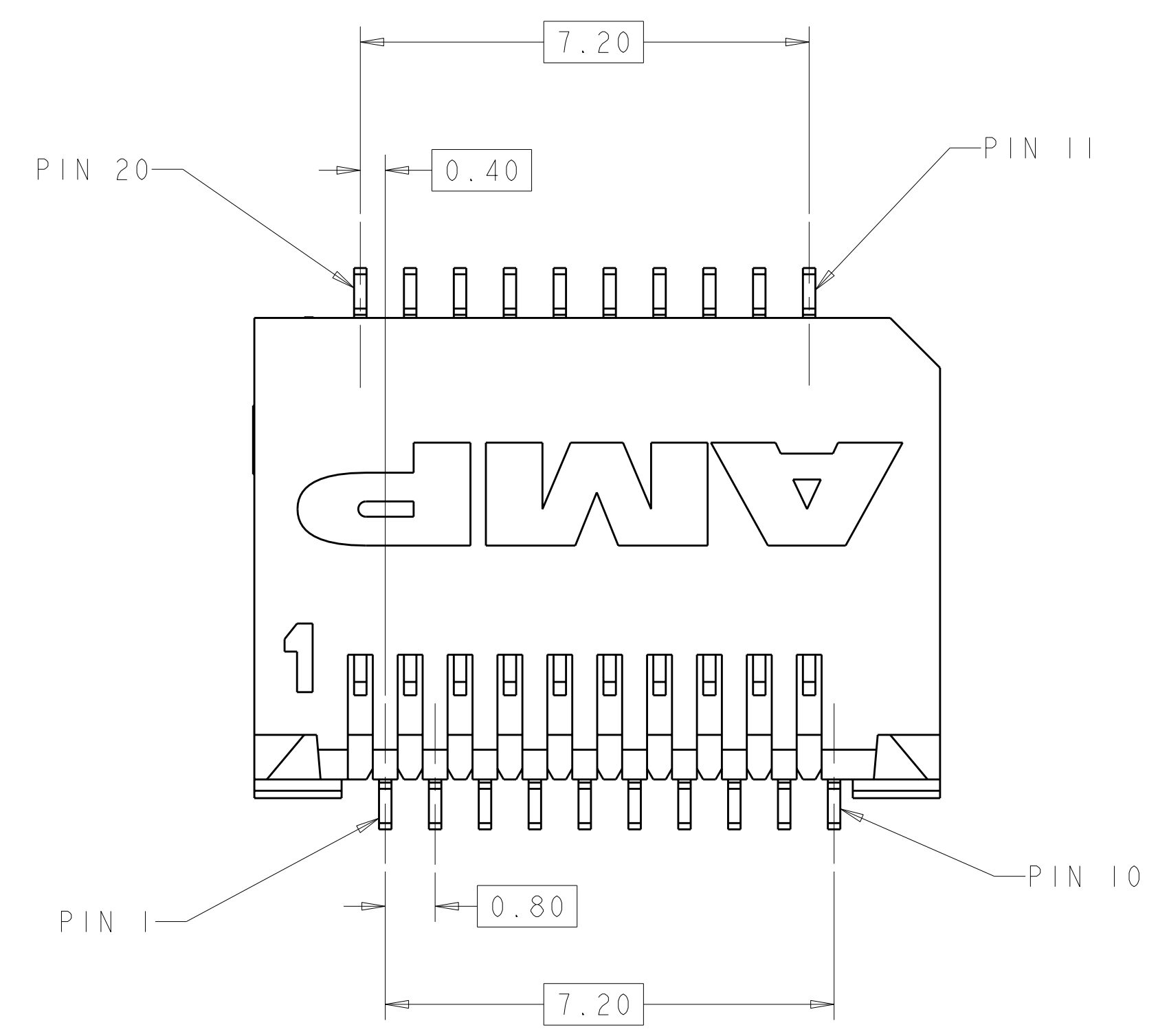
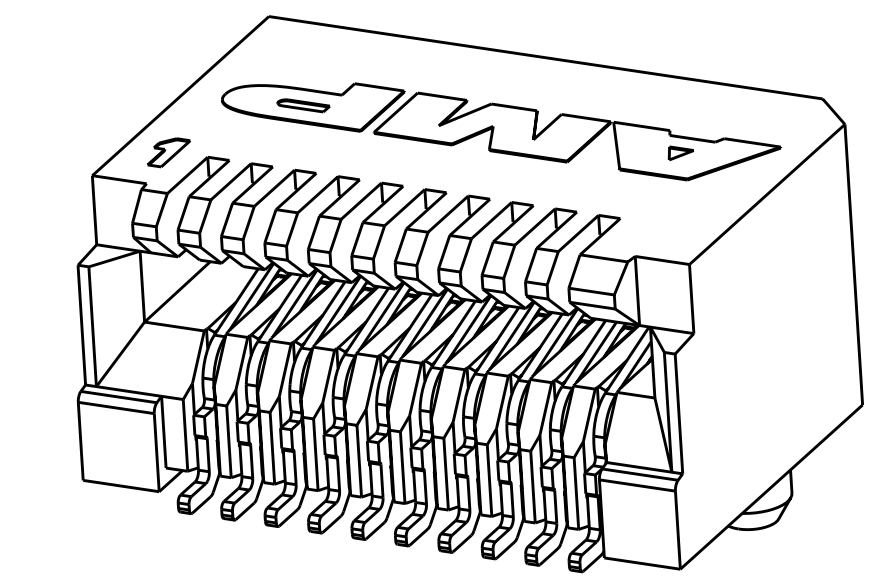


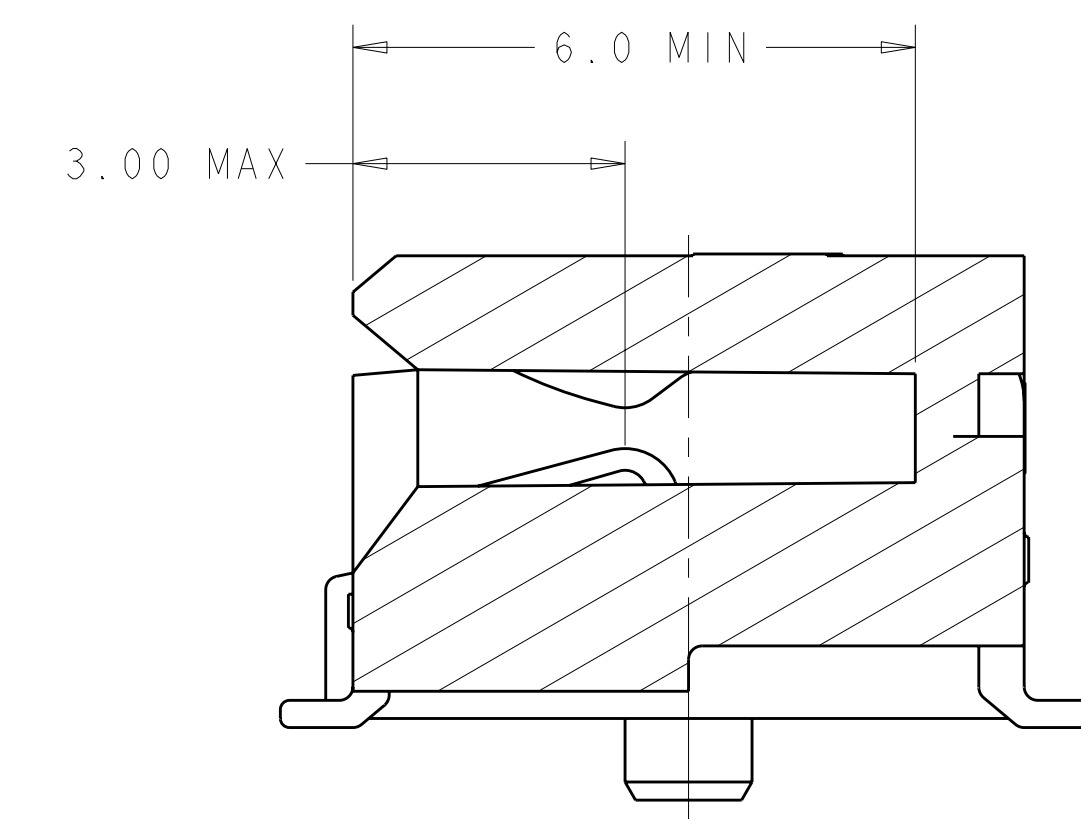
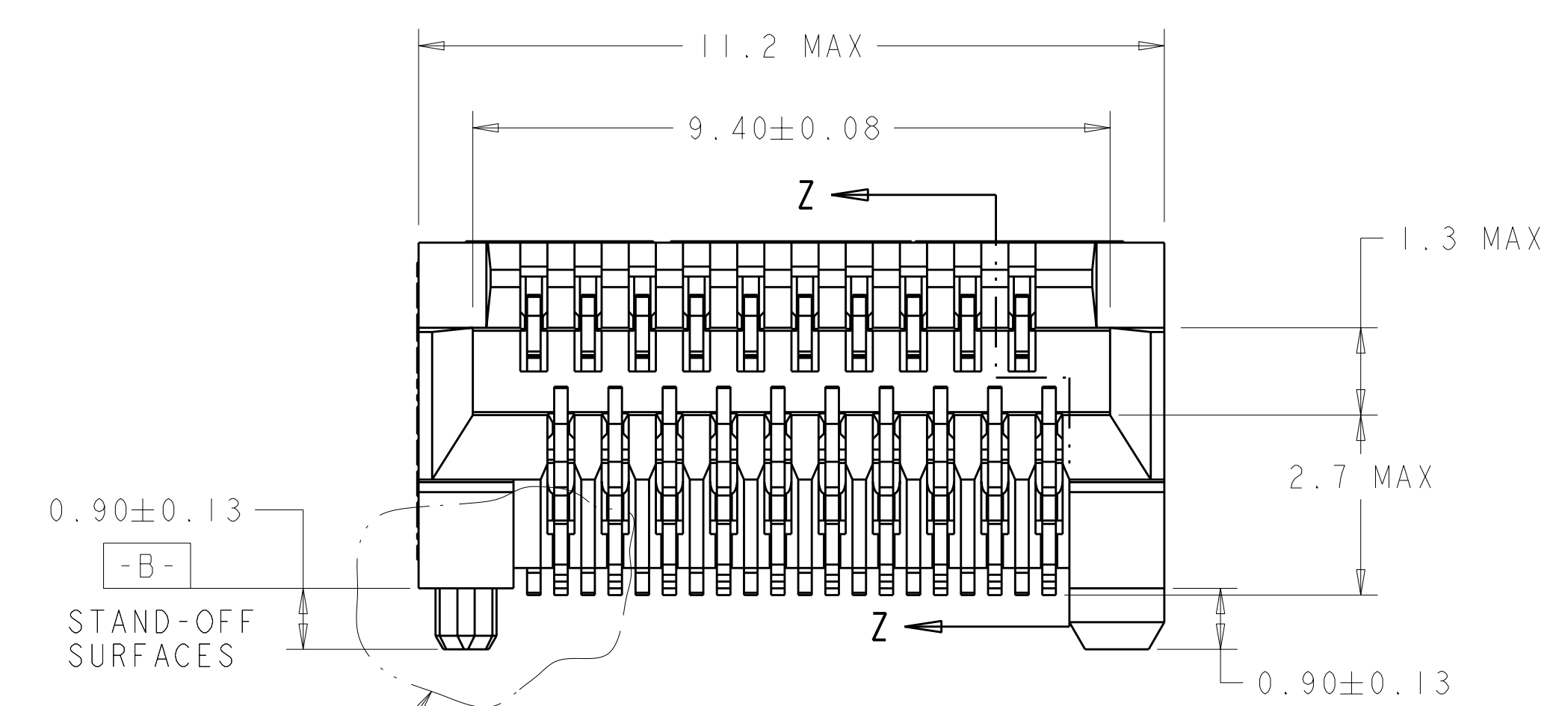
LOC	DIST	REV	DESCRIPTION	DATE	OWN	APVD
ES	00					
		D	REVISED PER EC 0513-0307-05	23FEB06	BM	SS
		E	REVISED PER EC 0513-0220-05	22FEB06	BM	SS
		F	REVISED PER ECR-06-004909	28FEB06	BM	SS
		H	REVISED PER ECR-07-025522	25OCT07	LL	SY



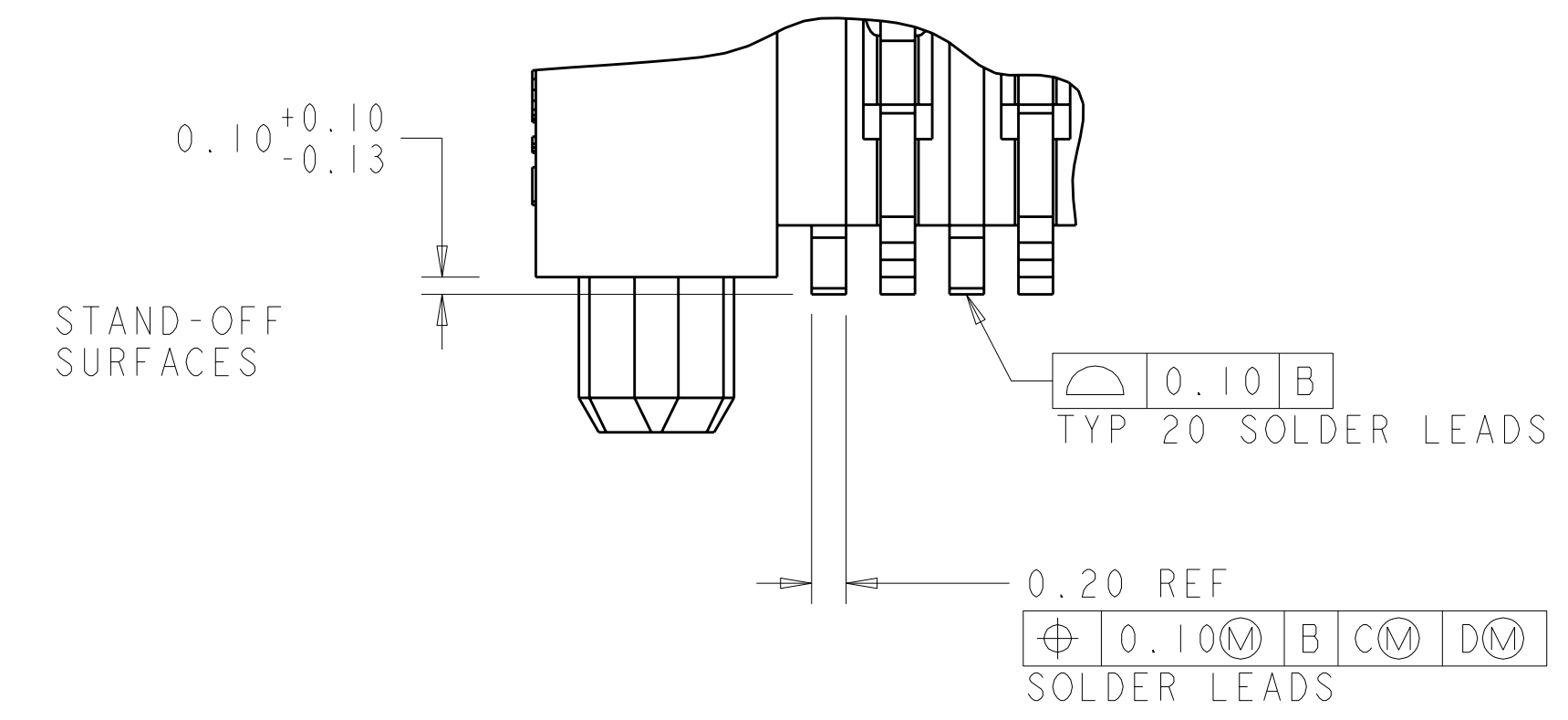
- PART COMPATABLE WITH SFP MSA. REFER TO THE SFP MSA FOR DIMENSIONS NOT SHOWN ON THIS PRINT.
- HOUSING: HIGH TEMPERATURE LCP, UL 94V-0 RATED, BLACK. CONTACT: PHOSPHOR BRONZE.
- CONTACTS: 0.00038 MIN GOLD IN CONTACT AREA, 0.00013 MIN GOLD ON SOLDER AREA, OVER 0.0038 MIN NICKEL UNDERPLATE ON ENTIRE CONTACT.
- PACKAGED 480 PIECES PER REEL.
- DATUMS AND BASIC DIMENSIONS TO BE ESTABLISHED BY CUSTOMER, SEE DRAWING 1367034 FOR LAYOUT WHEN USED WITH 1367034-1 BOTTOM CAGE (STANDARD SFP APPLICATION).
- CONTACTS: 0.00076 MIN GOLD IN CONTACT AREA, 0.00013 MIN GOLD ON SOLDER AREA, OVER 0.0038 MIN NICKEL UNDERPLATE ON ENTIRE CONTACT.



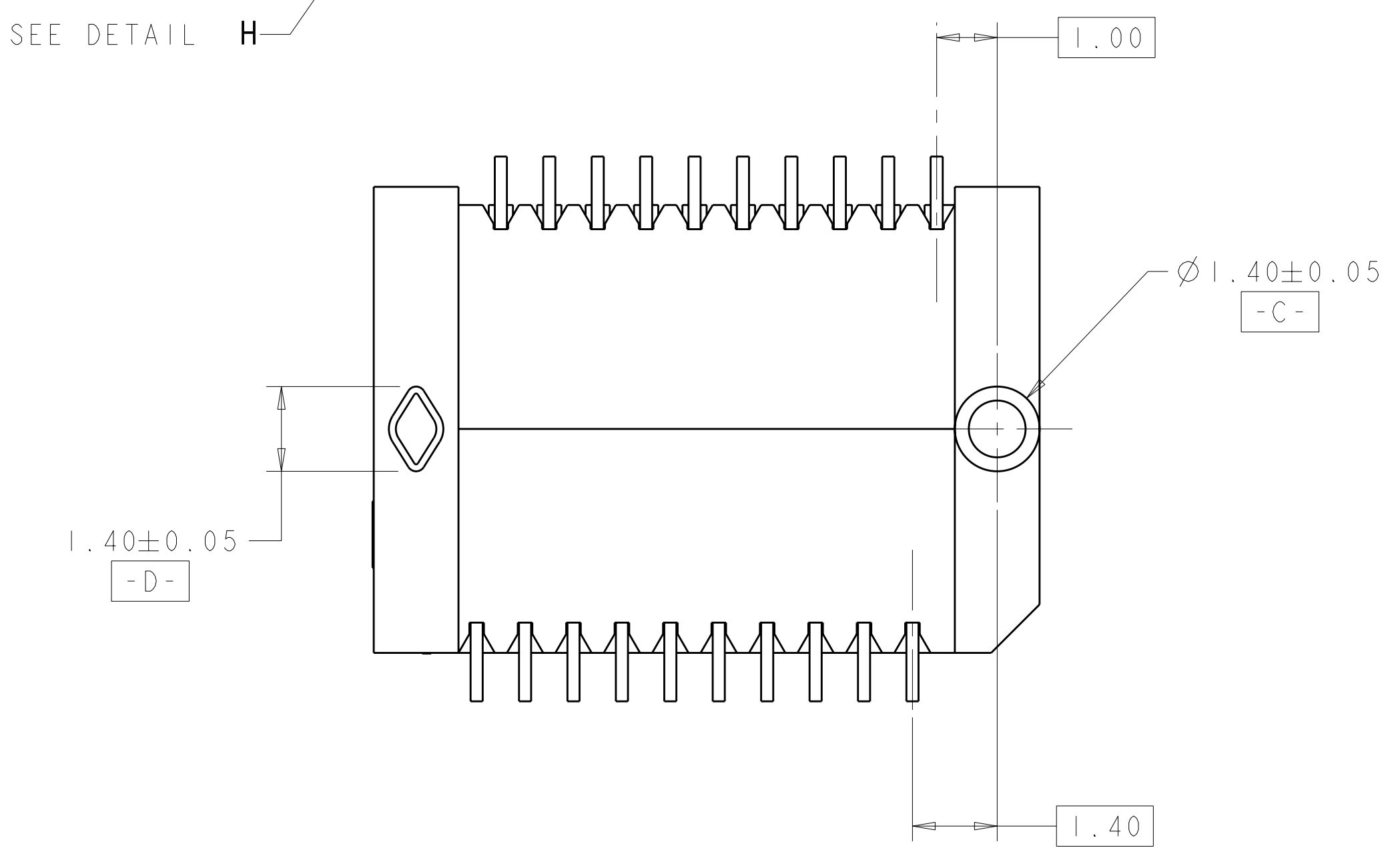
SCALE 8:1



SECTION Z-Z



DETAIL H  
SCALE 25:1



SEE DETAIL H

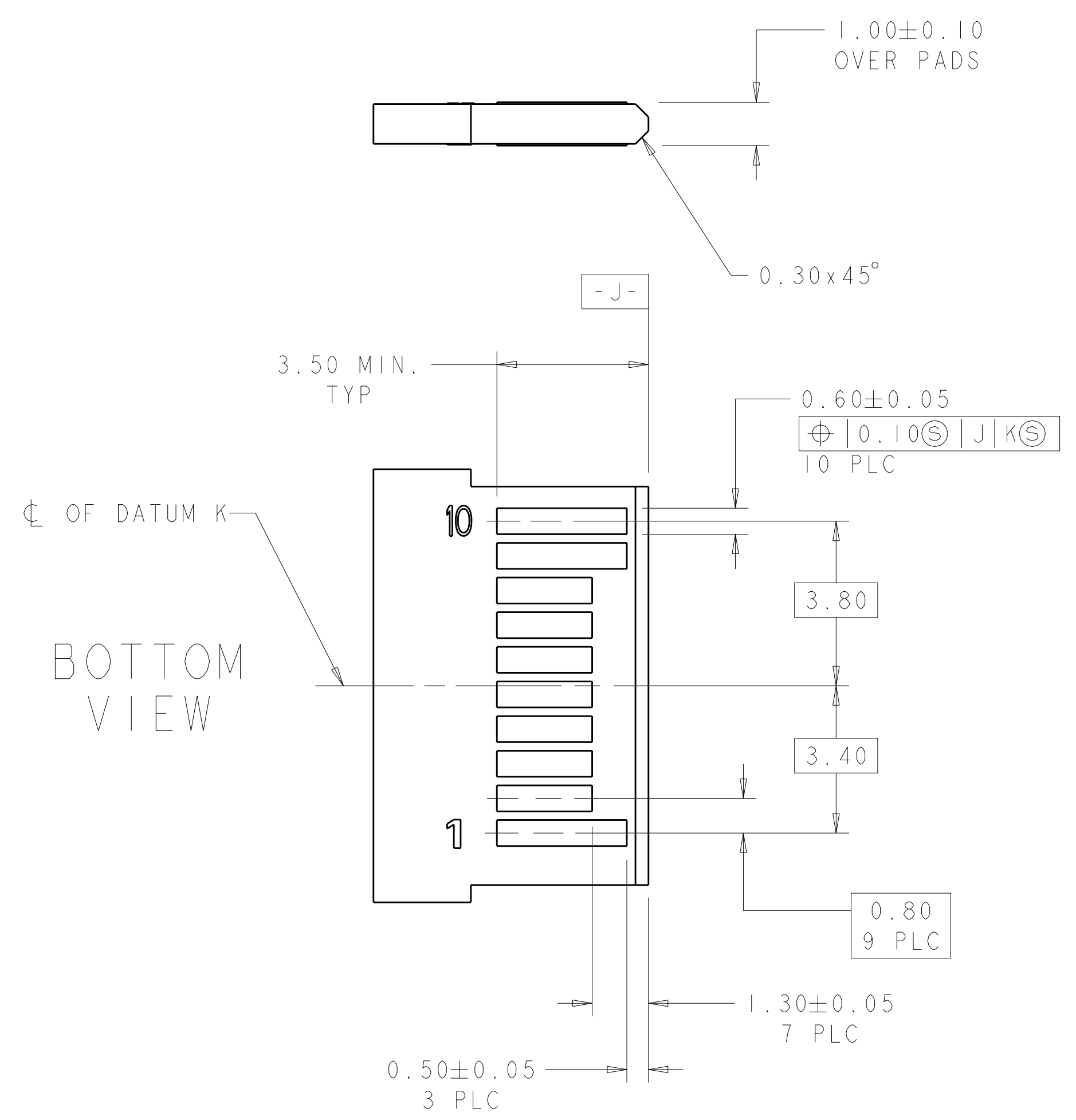
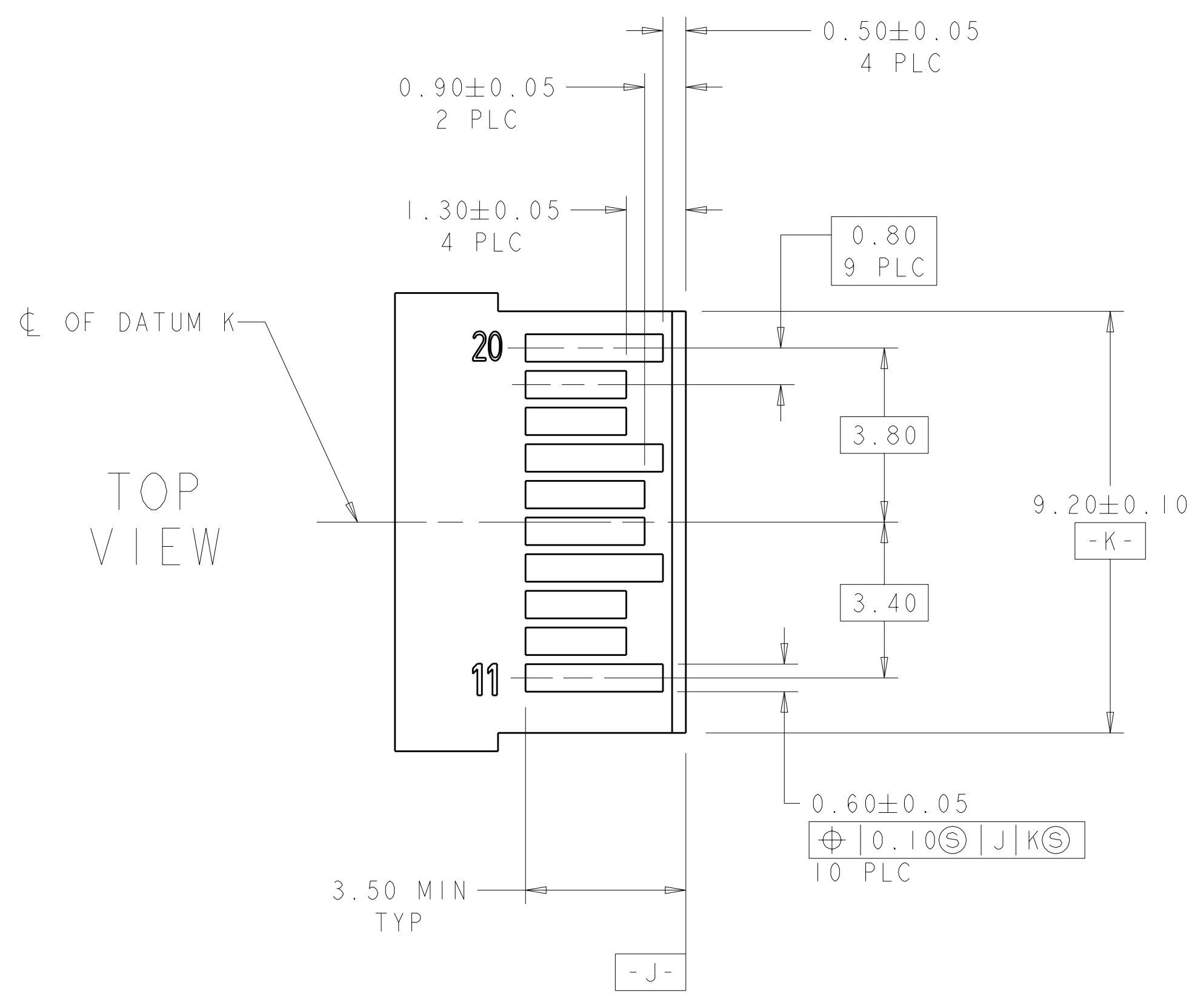
6	1367073-2
3	1367073-1
FINISH	PART NUMBER

DIMENSIONS:		TOLERANCES UNLESS OTHERWISE SPECIFIED:		DWN		Tyco Electronics Corporation	
mm	0 PLC ±	PLC	±0.10	CHK	KERLIN	01MAR2000	Tyco Electronics Corporation
	1 PLC ±	PLC	±	APVD	BRIGHT	01MAR2000	Shanghai, P.R.China. 200233
	2 PLC ±	PLC	±	NAME	BRIGHT	01MAR2000	PT CONNECTOR ASSEMBLY, 20 POSITION, SFP, RTANG, 0.8MM
	3 PLC ±	PLC	±	PRODUCT SPEC			
	4 PLC ±	PLC	±	APPLICATION SPEC			
	ANGLES ±	PLC	±	SIZE	114-13017		
	FINISH ±	PLC	±	WEIGHT			
		PLC	±	CUSTOMER DRAWING			

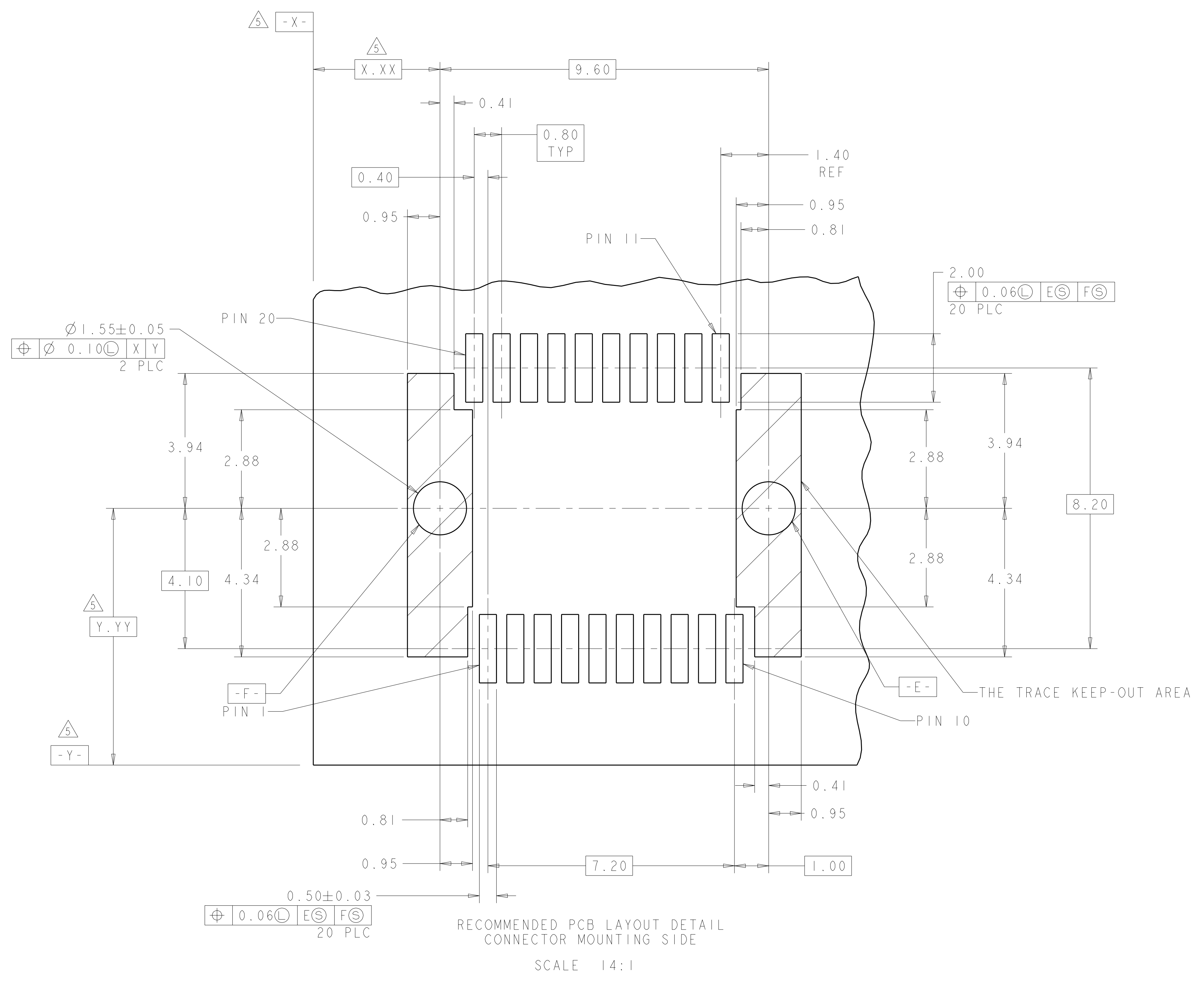
LOC	DIST	REV	DATE	BY	APPD
ES	00				

REVISIONS		DATE	BY	APPD
-	SEE SHEET 1	-	-	-



RECOMMENDED LAYOUT DETAIL  
 MATING TRANSCEIVER PCB  
 SCALE 10:1



DIMENSIONS:		TOLERANCES UNLESS OTHERWISE SPECIFIED:		MATERIAL:		FINISH:		WEIGHT:		CUSTOMER DRAWING	
mm	9 PLC	±									
	1 PLC	±	0.10								
	5 PLC	±									
	4 PLC	±									
	ANGLES	±									

DWN	P. KERLIN	01MAR2000	NAME	PT CONNECTOR ASSEMBLY, 20 POSITION, SFP, RTANG, 0.8MM
CHK	E. BRIGHT	01MAR2000	PRODUCT SPEC	108-1949
APPD	F. BRIGHT	01MAR2000	APPLICATION SPEC	114-13017
			SIZE	CAGE CODE
			DRAWING NO	RESTRICTED TO
			A100779C=1367073	
			SCALE	12:1
			SHEET	2 OF 2
			REV	H